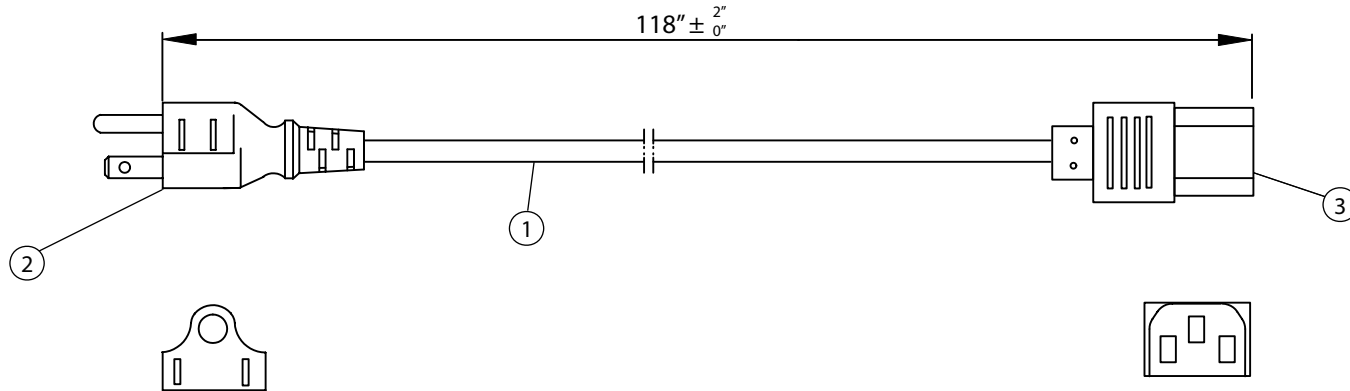


THESE DRAWINGS ARE THE PROPERTY OF QUALTEK ELECTRONICS AND NOT TO BE REPRODUCED FOR OR COMMUNICATED TO A THIRD PARTY WITHOUT THE EXPRESS WRITTEN PERMISSION OF AN OFFICER OF QUALTEK ELECTRONICS.

REVISION			
REV.	DESCRIPTION	DATE	APPROVED
B	RoHS Compliancy	06-01-06	D.P.



NOTES:

1. CORDAGE: SJT, 16AWG / 3C, UNSHIELDED, CEE COLOR CODE, TEMP. RATING 60°C, RATING: 125V 13A, JACKET COLOR: BLACK
2. PLUG: NEMA 5-15P
3. CONNECTOR: IEC 60320 C-13
4. APPROVALS: UL, cUL
5. ROHS COMPLIANT

CONTROLLED

Dim range (mm)		Tolerance +/- (mm)		Qualtek Electronics Corp. PPC DIVISION		
0-1	0.15	Part Number: 312014-01		Description: POWER CORD		<div style="border: 1px solid green; padding: 2px; display: inline-block;">RoHS Compliant</div>
1-6	0.20	UNIT: in				
6-18	0.30	Description: POWER CORD		UNIT: in	REV. B	Approved / Date
18-50	0.50	Drawn / Date		Checked / Date	Approved / Date	
50-120	0.70	S.TSAI 10-28-01		10-28-01	JJH / 10-28-01	
120-250	0.90	250-500		1.20		